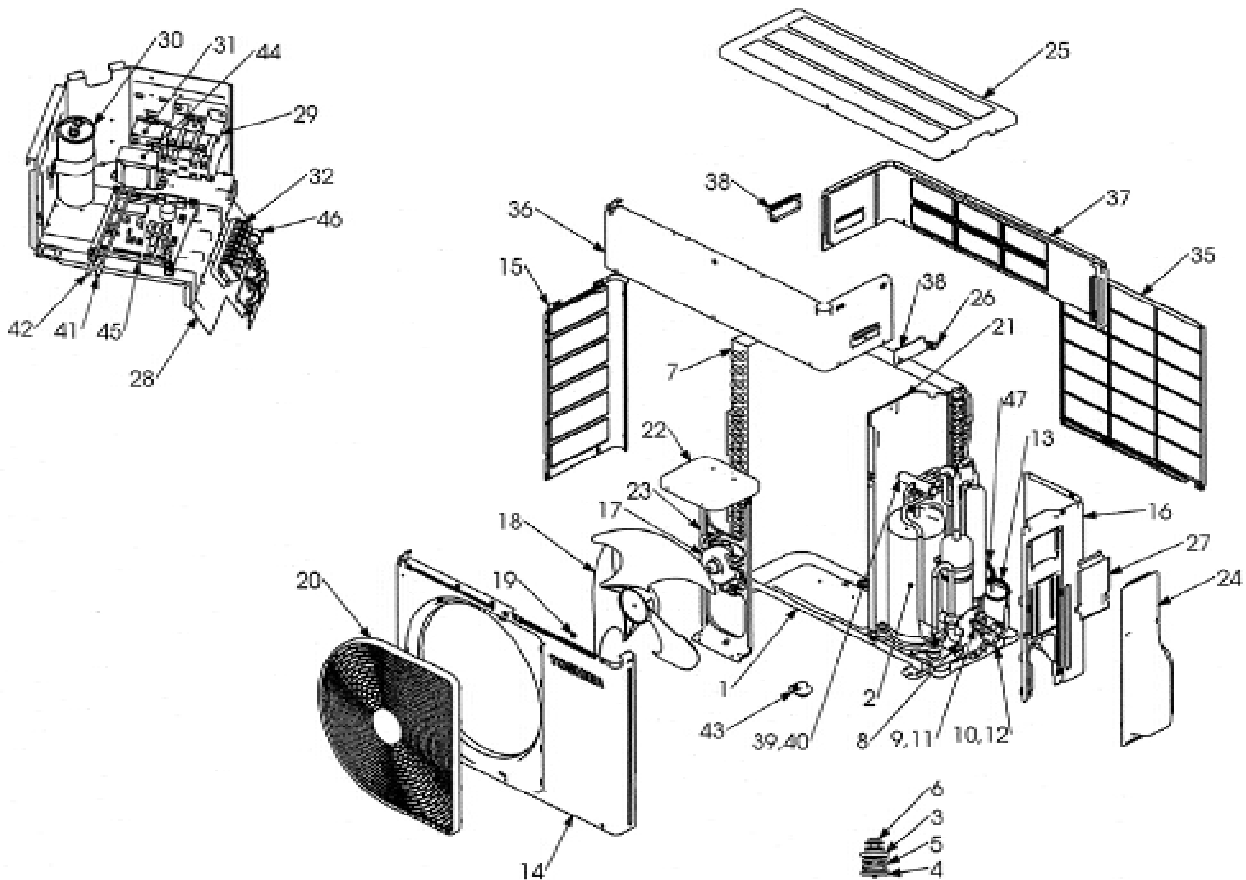


11-3. Outdoor Unit (RAS-24GAH-ES2)



| Location No. | Part No. | Description |
|--------------|----------|-----------------------------|
| 1 | 43T42324 | BASE PLATE ASSEMBLY |
| 2 | 43T41397 | COMPRESSOR;PA290X3CS-4MU |
| 3 | 43T49011 | SPRING BASE(UPPER) |
| 4 | 43T49012 | SPRING BASE (LOWER) |
| 5 | 43T49019 | SPRING; BUFFER |
| 6 | 43T97307 | COMPRESSOR BOLT (M6) |
| 7 | 43T43391 | CONDENSER ASSEMBLY |
| 8 | 43T00448 | FIXING PLATE VALVE |
| 9 | 43T46332 | VALVE;PACKED 6.35 DIA |
| 10 | 43T46335 | VALVE;PACKED 12.7 DIA (H4) |
| 11 | 43T47331 | BONNET, 6.35 DIA |
| 12 | 43T47333 | BONNET, 12.70 DIA |
| 13 | 43T47013 | CAPILLARY TUBE; 2.0 DIA |
| 14 | 43T00468 | FRONT CABINET |
| 15 | 43T00474 | LEFT CABINET |
| 16 | 43T00454 | RIGHT CABINET |
| 17 | 43T21378 | FAN MOTOR;AC220-240V 50Hz |
| 18 | 43T20319 | PROPELLER FAN |
| 19 | 43T47001 | NUT FLANGE |
| 20 | 43T19329 | FAN GUARD |
| 21 | 43T04302 | PARTITION |
| 22 | 43T39317 | MOTOR BASE CONNECTION PLATE |
| 23 | 43T39318 | MOTOR BASE |

| Location No. | Part No. | Description |
|--------------|----------|-----------------------------|
| 24 | 43T19330 | PACKED VALVE COVER |
| 25 | 43T00455 | UPPER CABINET |
| 26 | 43T96305 | BUSHING |
| 27 | 43T62325 | ELECTRIC PART COVER |
| 28 | 43T61306 | ELECTRIC PARTS BASE |
| 29 | 43T52301 | SWITCH;MAGNET; CLK-35J |
| 30 | 43T55340 | MF CAPACITOR |
| 31 | 43T55341 | CAPACITOR;PLASTIC-FILM |
| 32 | 43T60352 | TERMINAL BLOCK; 6P |
| 35 | 43T19331 | FIN GUARD |
| 36 | 43T00456 | UPPER FRONT CABINET; A |
| 37 | 43T00457 | UPPER FRONT CABINET; B |
| 38 | 43T71301 | HANDLE |
| 39 | 43T46337 | 4 WAY VALVE |
| 40 | 43T46339 | COIL;V-4WAY;AC220-240V 50Hz |
| 41 | 43T69059 | SENSOR; TE |
| 42 | 43T69060 | SENSOR; TD |
| 43 | 43T79305 | DRAIN NIPPLE |
| 44 | 43T58301 | TRANSFORMER; TT-05 |
| 45 | 43T69580 | PC BOARD |
| 46 | 43T60325 | FILTER;CLAMP |
| 47 | 43T47308 | CAPILLARY TUBE; 1.0 DIA |